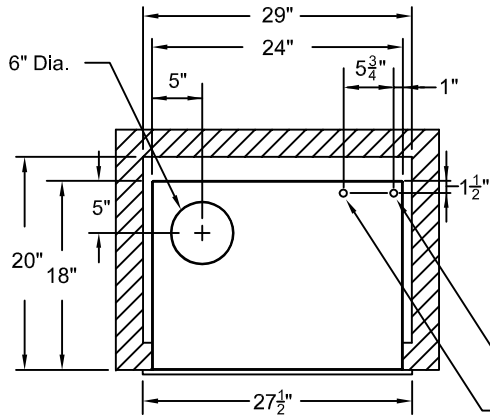


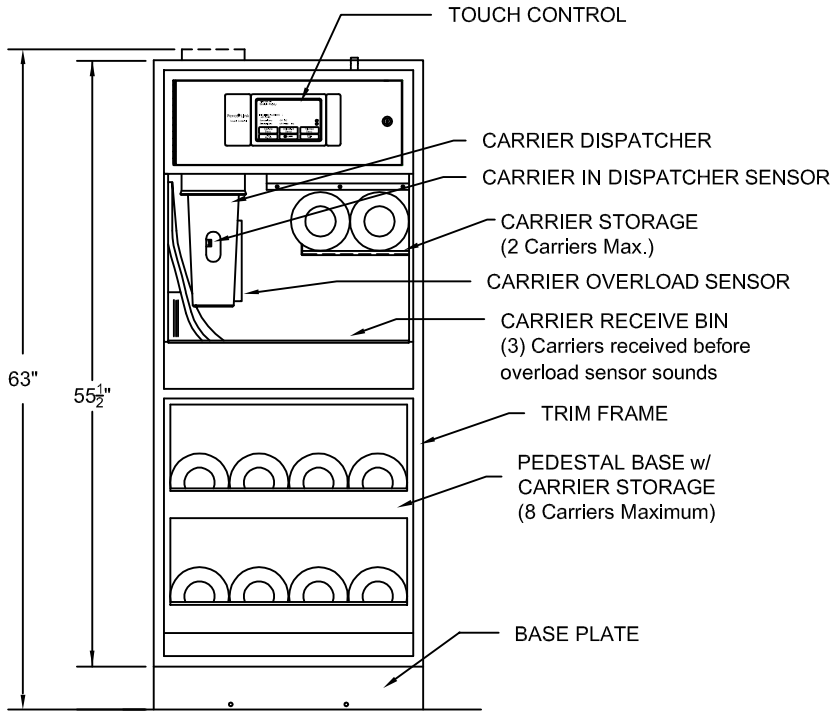
NOTES:

1. STATION REQUIRES 120 VOLT, 5 AMP DEDICATED CIRCUIT (PROVIDED BY OTHERS).
2. ONE (7/8") DIA HOLE LOCATED ON TOP OF STATION IS FOR AN ETHERNET CONNECTION (PROVIDED BY OTHERS) AND ONE (7/8") CONDUIT LOCATED ON TOP OF STATION IS FOR ELECTRICAL CONNECTION (PROVIDED BY OTHERS).
3. STATION IS FLOOR MOUNTED.
4. TOUCH CONTROL HEIGHT IS APPROXIMATELY 56" TO CENTER. **STATION IS NOT SUBJECT TO ADA REQUIREMENTS SINCE IT IS NOT USED BY THE PUBLIC.**
5. ROUGH OPENING MINIMUM IS 20" x 29" x 60 3/4". IT COULD BE LARGER IF THERE IS A (ARE) TUBE RISER(S) INCLUDED. DO NOT ENCLOSE OR DRYWALL UNTIL STATION, TUBING, ETHERNET AND ELECTRICAL CONNECTION ARE COMPLETED.
6. STATION WEIGHT IS 227 LBS.

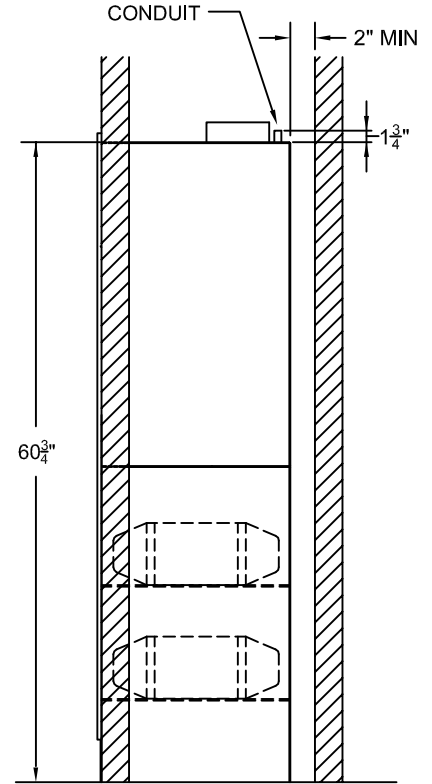


PLAN VIEW

ETHERNET CONNECTION TO AN ACTIVE JACK (INSIDE UNIT) ON THE SAME IT NETWORK AS THE PTS CONTROL CENTER (BY OTHERS)
 ELECTRICAL CONNECTION (BY OTHERS)
 SERVICE DISCONNECT FACTORY WIRED (INSIDE UNIT)



FRONT VIEW



SIDE VIEW



1401 Tangier Drive
 Baltimore, Maryland 21220
 T 410.931.8800, F 410.931.4660
 800.296.PEVCO (7382), www.pevco.com

WALL RECESSED COMPACT STATION
 WITH CARRIER STORAGE PEDESTAL BASE
 (Ethernet Communications)

6" COMPUTERIZED PNEUMATIC TUBE SYSTEMS

SCALE	NONE	DATE
DRAWN	BK/SDW	01.14.13
REVISED	SDW	05.24.13
	SDW	08.08.14
DRAWING NUMBER	PEV200.38A	REVISION 3