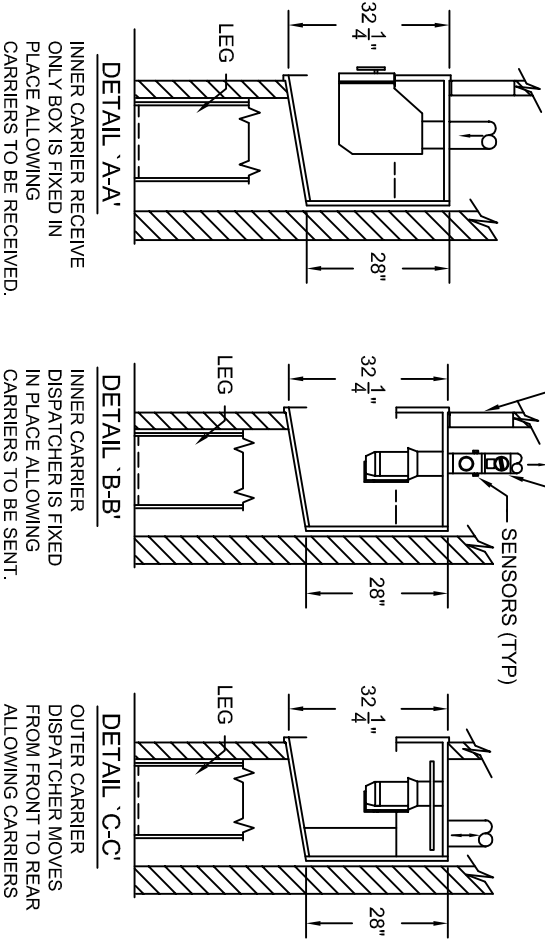


FRONT VIEW

PURPOSE: MEET THE SENDING AND RECEIVING CAPABILITY OF HEAVY VOLUME DEPARTMENTS.
 TYPICAL USE: LAB AND/OR PHARMACY AREAS
 CAPABILITY: 3 SENDS & 3 RECEIVES
 BENEFIT: INCREASE THE SENDING AND RECEIVING CAPABILITY OF TWO STANDARD STATIONS. THE USER CAN LOAD THREE CARRIERS (ONE ON EACH DISPATCHER) AND SEND THEM SIMULTANEOUSLY IF THE PORTS ARE ON SEPARATE ZONES. THE USER CAN RECEIVE THREE CARRIERS SIMULTANEOUSLY IF THE PORTS ARE ON SEPARATE ZONES.



DETAIL 'A-A'

INNER CARRIER RECEIVE ONLY BOX IS FIXED IN PLACE ALLOWING CARRIERS TO BE RECEIVED. (CAN BE MODIFIED TO SEND-ONLY DISPATCHER.)

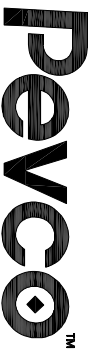
DETAIL 'B-B'

INNER CARRIER DISPATCHER IS FIXED IN PLACE ALLOWING CARRIERS TO BE SENT. (CAN BE MODIFIED TO RECEIVE-ONLY BOX.)

DETAIL 'C-C'

OUTER CARRIER DISPATCHER MOVES FROM FRONT TO REAR ALLOWING CARRIERS TO BE SENT AND RECEIVED.

- NOTES:
1. STATION REQUIRES 120 VOLT, 10 AMP DEDICATED CIRCUIT (PROVIDED BY OTHERS).
 2. FIVE (7/8") DIA. HOLES IN TOP OF STATION FOR (4) COMMUNICATION CABLES AND (1) CONDUIT CONNECTION.
 3. LEG BRACKETS ARE IN 2" INCREMENTS.
 * VERIFY WITH OWNER ANY MILLWORK THAT MIGHT INTERFERE WITH STATION HEIGHT.
 4. RECOMMENDED CONTROL PANEL HEIGHT IS 5'-0".
 5. SOLENOID WINDGATE IS 23" x 63".
 6. SOLENOID WINDGATES ARE REQUIRED ON FIXED SEND-ONLY DISPATCHERS, ACCESS TO WINDGATE AND SENSORS IS REQUIRED FOR SERVICE AND MAINTENANCE. (ACCESS, MINIMUM OF 35"W x 22"H, PROVIDED BY OTHERS).
 7. STATION WEIGHT IS 274 LBS.



Baltimore, Maryland
 800.296.PEVCO (7382)
 WWW.PEVCO.COM

WALL RECESSED MAXI STATION
 (4-PORT) COMBINATION

6" COMPUTERIZED PNEUMATIC TUBE SYSTEM

SCALE	NONE	DATE
DRAWN	SDW	05.01.00
REVISED	SDW	05.01.04
DRAWING NUMBER	SDW	10.22.07
	PEV204.2	REVISION 3